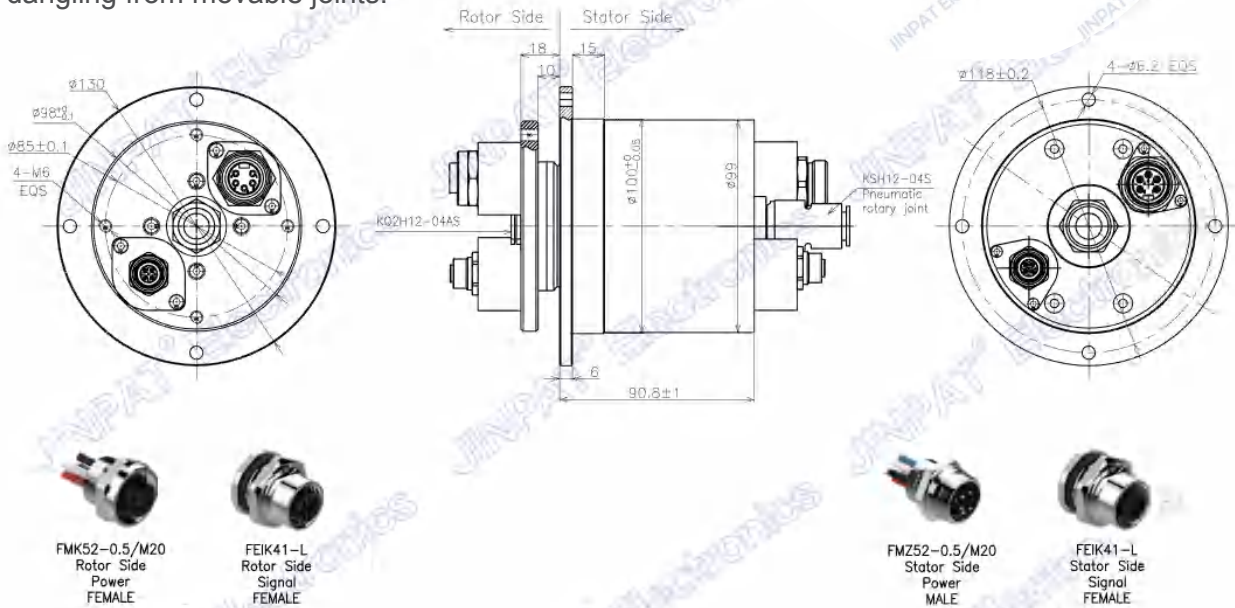


A slip ring can be used in any electromechanical system that requires unrestrained, continuous rotation while transferring power or data from a stationary to a rotating structure. A slip ring is also called a rotary electrical interface, collector, swivel or a commutation. A slip ring can improve system performance by simplifying operations and eliminating damage-prone wires dangling from movable joints.



Electronic & Electric			Mechanical	
Circuits	Total	10CKT	Working Speed	0~10rpm
	Detail	5x8A+1x100M Ethernet	Vehicle Turntable	/
Rating Voltage		24VDC	Housing Material	aluminium alloy
Dielectric Strength		300VAC@50Hz	Lead Wire Length	/
Insulation Resistance		≥100MΩ@250VDC	Contact Material	noble metal
Environment			Remarks	
Working Temperature		-20°C~+60°C	IP	IP65
Working Humidity		≤60%RH		