

Features

- ◆ 6, 12, 18 and 24 circuits models
- ◆ Precious metal contacts
- ◆ 5 amps rings
- ◆ Precision ball bearings for long life
- ◆ Speed up to 500 rpm continuous
- ◆ Compact size
- ◆ Sealed units available
- ◆ Flying leads
- ◆ Fully compatible with both analog and TTL control level signals
- ◆ Rugged black anodized aluminum construction

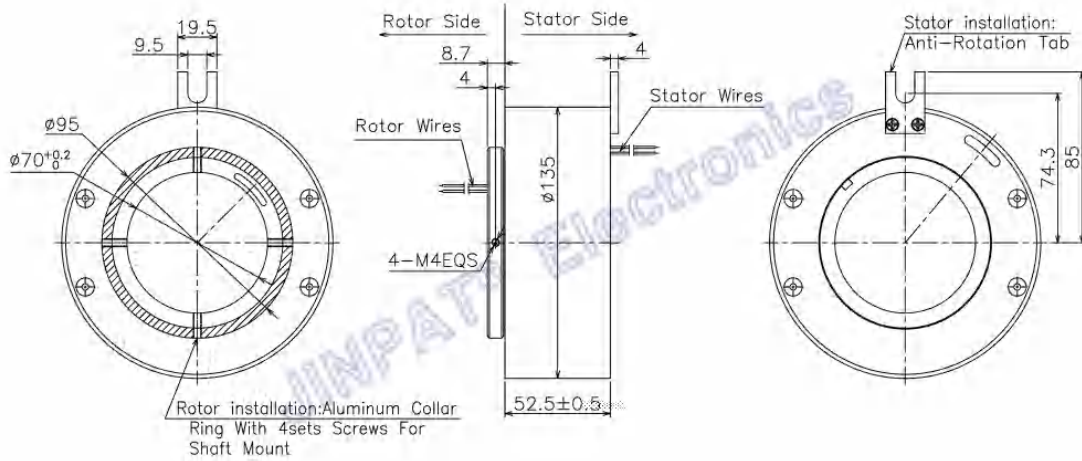


Advantages

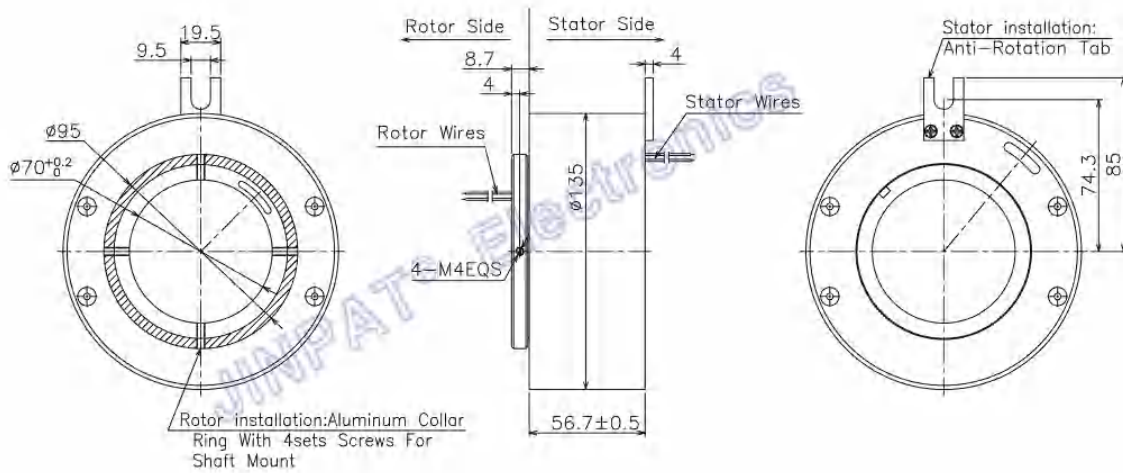
- ◆ Unique signal handling performance with minimal electrical noise
- ◆ Compact design to fit in the most demanding space constraints
- ◆ Low torque minimizes system torque budget
- ◆ Rapid delivery

| Electronic & Electric | | | Mechanical | |
|-----------------------|--------|---------------|------------------|-----------------------------|
| Circuits | Total | 6CKT | Working Speed | 0~300rpm |
| | Detail | 6x5A | Contact Material | Precious Metal |
| Rating Voltage | | 240VAC/DC | Housing Material | Aluminum alloy |
| Dielectric Strength | | 1000VAC@50Hz | Lead Wire Length | Stator:300mm Rotor:300mm |
| Insulation Resistance | | ≥500MΩ@500VDC | Inner Diameter | φ70mm |
| Environment | | | Remarks | |
| Working Temperature | | -20°C~+60°C | Other | / |
| Working Humidity | | ≤60%RH | | |

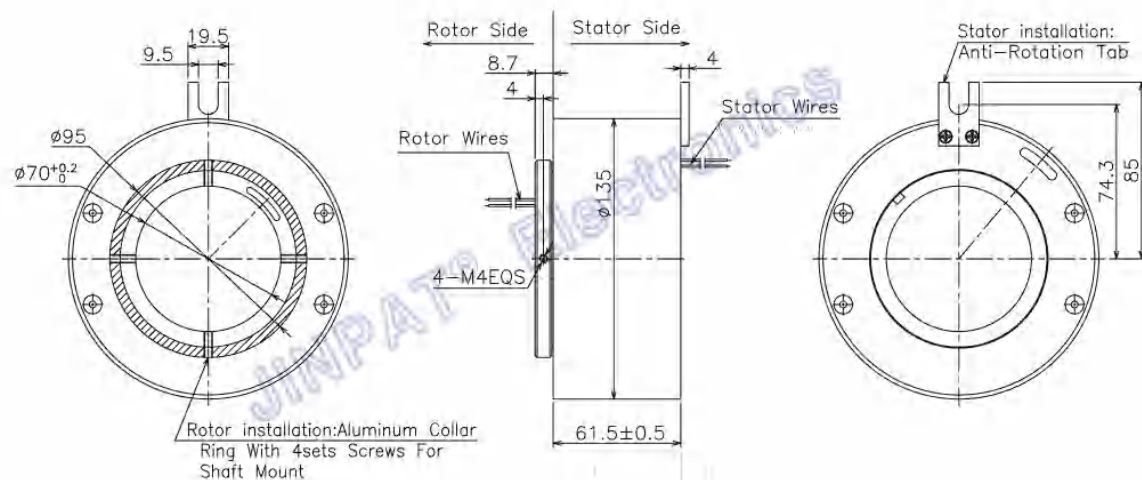
LPT070-0605-Outline Drawing



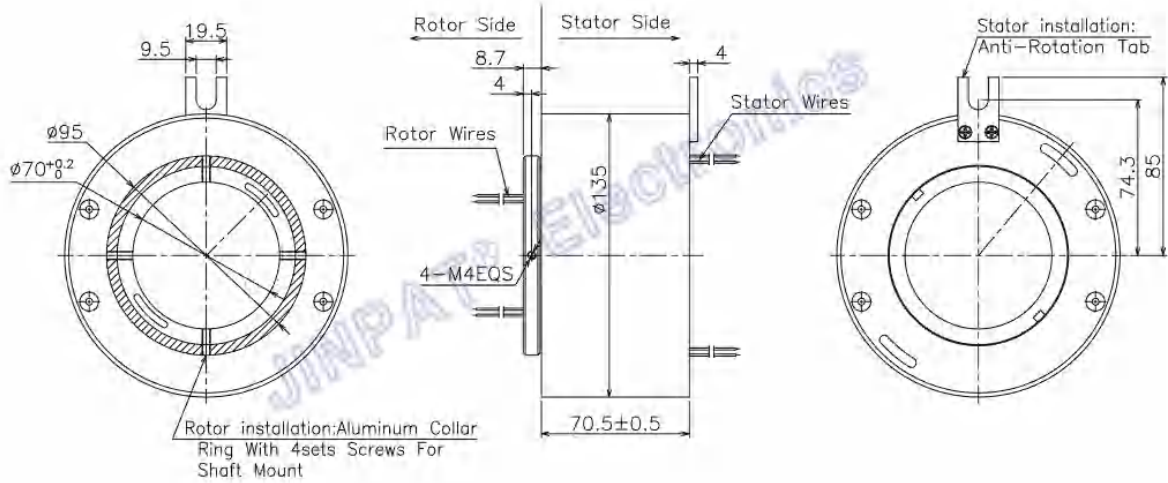
LPT070-0610-Outline Drawing



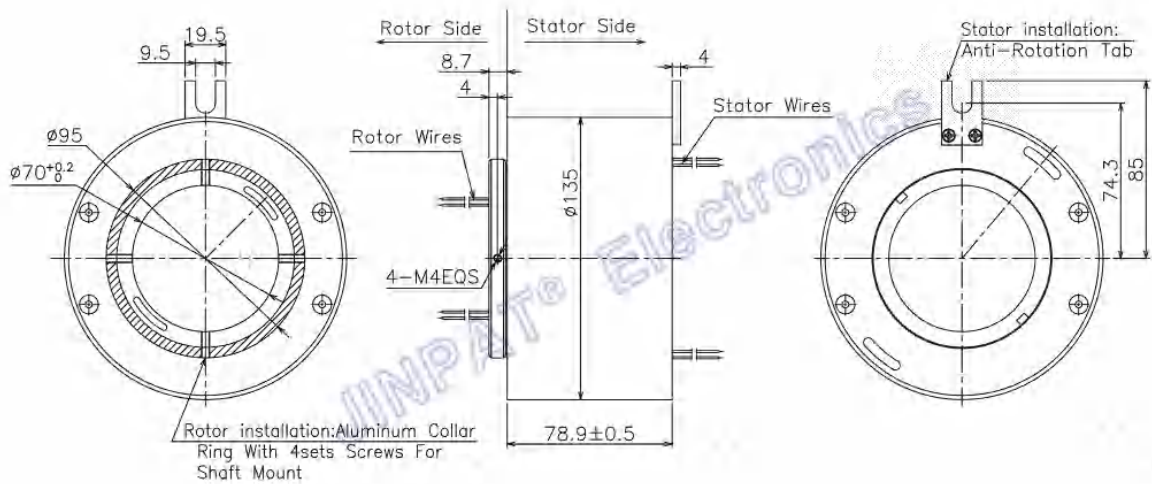
LPT070-0615-Outline Drawing



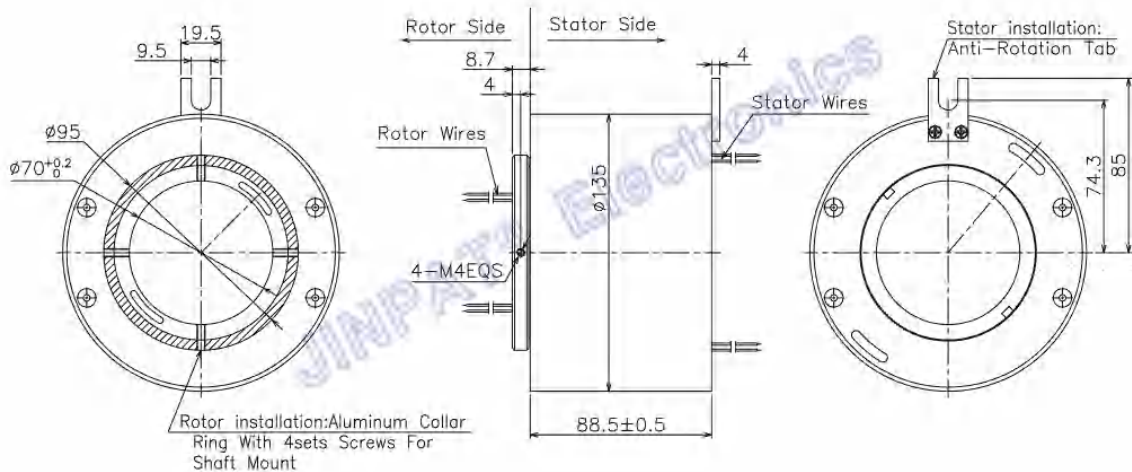
LPT070-1205-Outline Drawing



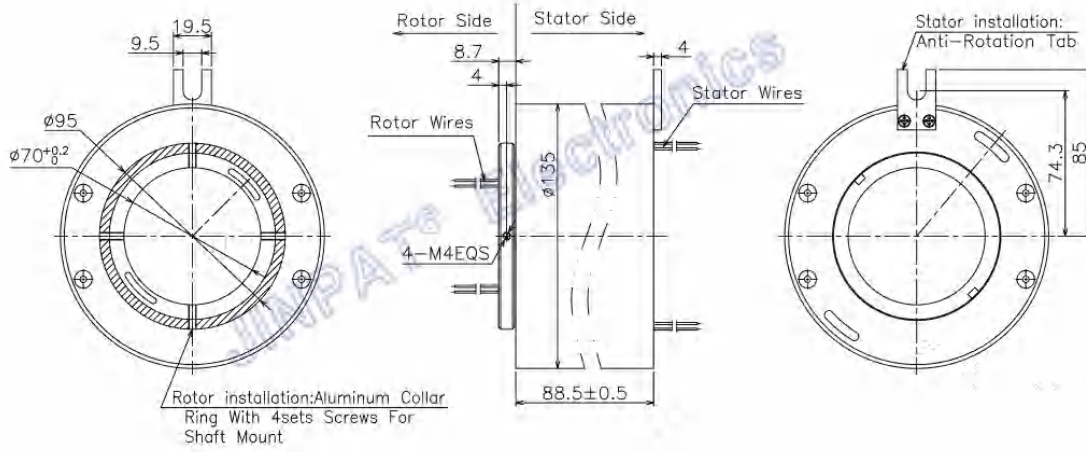
LPT070-1210-Outline Drawing



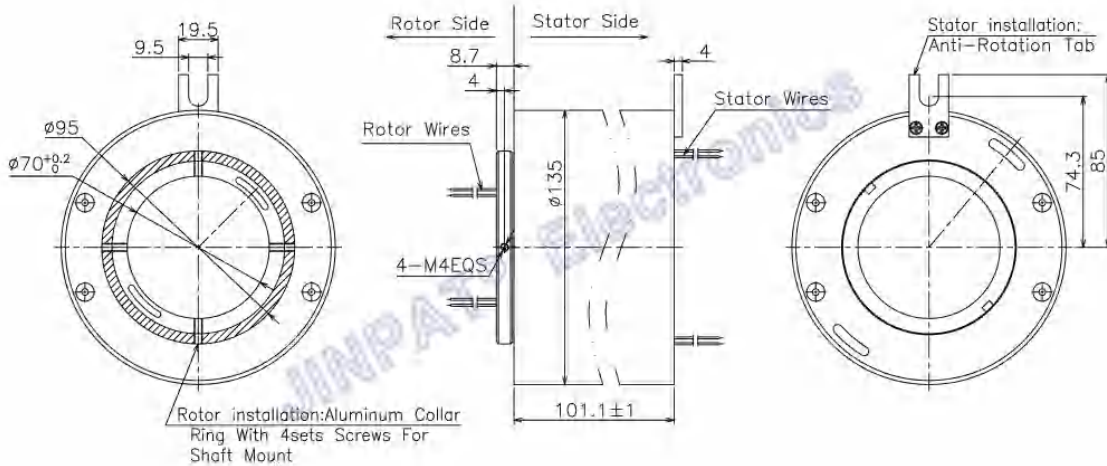
LPT070-1215-Outline Drawing



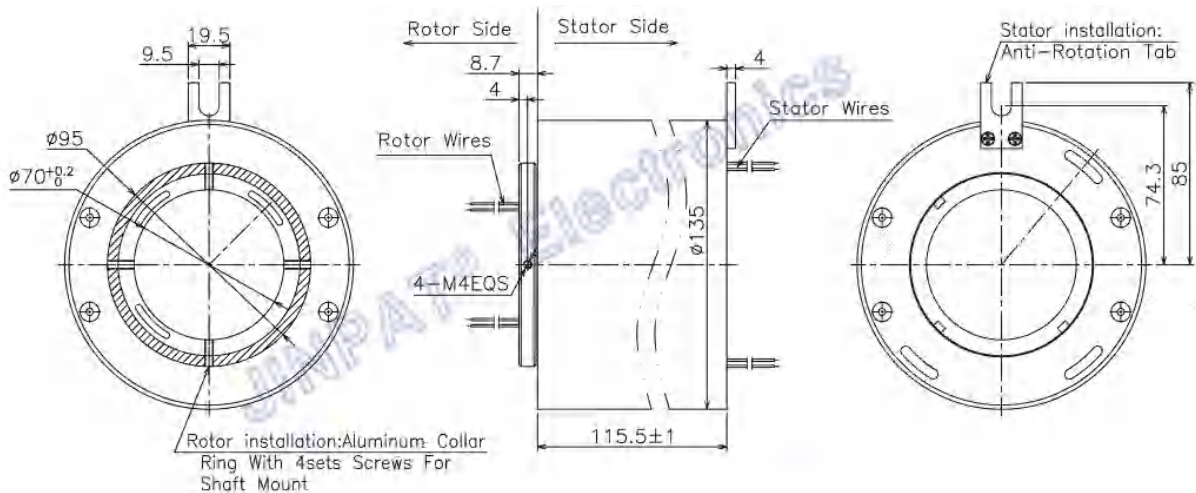
LPT070-1805-Outline Drawing



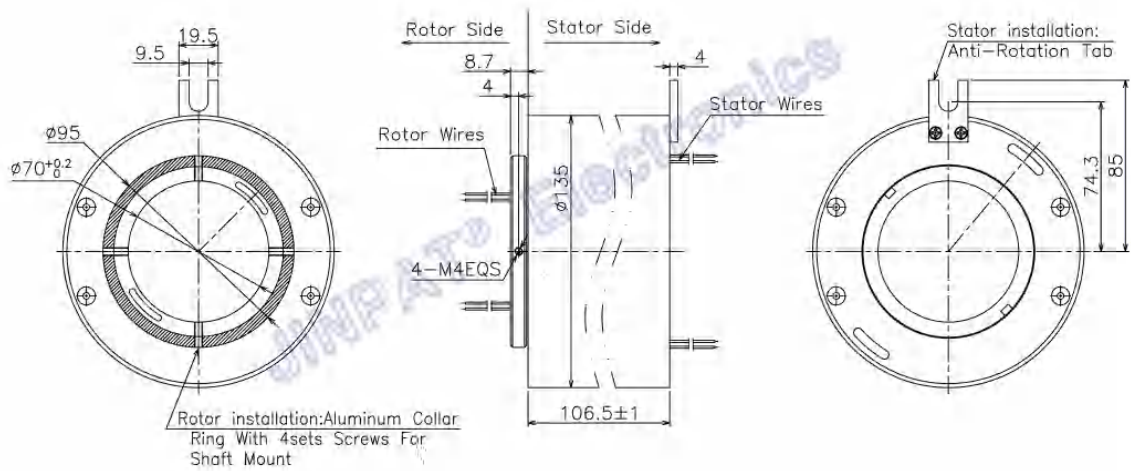
LPT070-1810-Outline Drawing



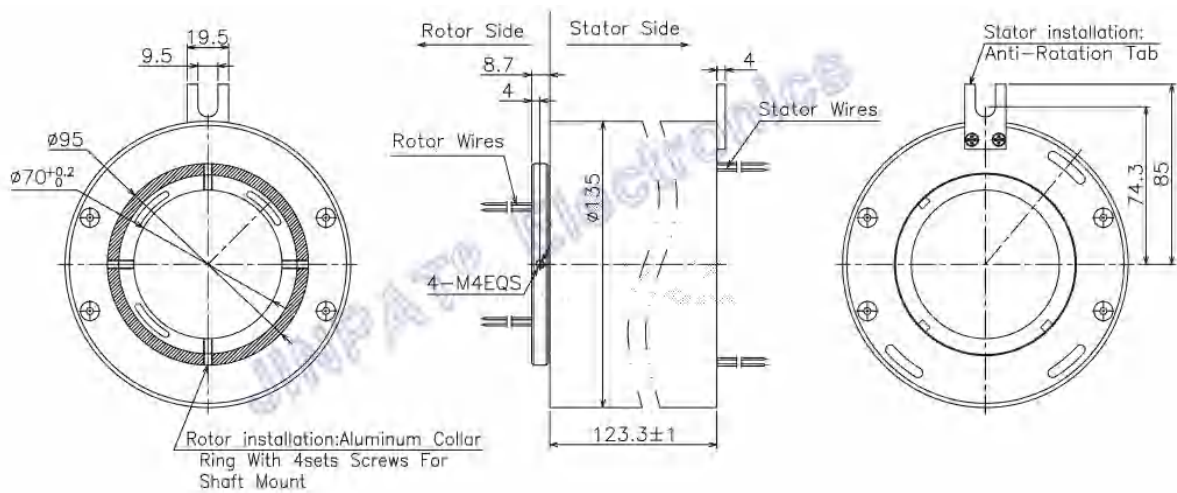
LPT070-1815-Outline Drawing



LPT070-2405-Outline Drawing



LPT070-2410-Outline Drawing



LPT070-2415-Outline Drawing

