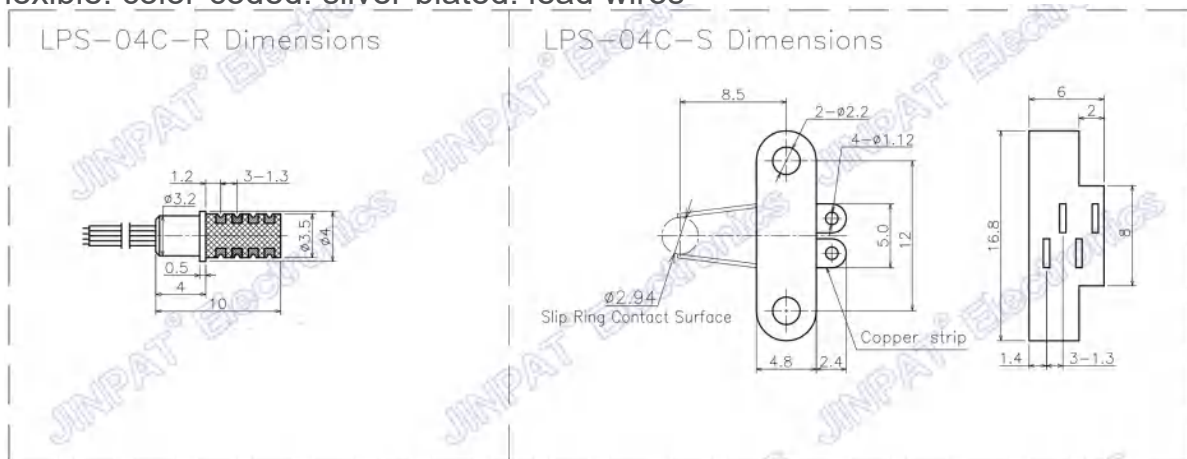


Features

- ◆ 4 circuits models
- ◆ Precision ball bearings meet or exceed life requirements for most commercial applications
- ◆ Speed up to 100 rpm continuous
- ◆ Gold-Gold contacts
- ◆ 250mm standard lead length
- ◆ Compatible with data bus protocols
- ◆ Sealed units are available
- ◆ Flexible. color-coded. silver-plated. lead wires



Electronic & Electric			Mechanical	
Circuits	Total	4CKT	Working Speed	0~100rpm
	Detail	4x1A	Contact Material	Gold to Gold
Rating Voltage		240V AC/DC	Housing Material	Engineering plastics
Dielectric Strength		$\geq 500\text{VAC}@50\text{Hz}$	Lead Wire Length	Stator: $250 \pm 5\text{mm}$ Rotor: Copper strip
Insulation Resistance		$\geq 100\text{M}\Omega@500\text{VDC}$	Electrical Noise	<35mn(Operate at 5 rpm)
Environment			Remarks	
Working Temperature		-20°C~+60°C	Application	/
Working Humidity		$\leq 60\%RH$	Other	/
IP		IP00	Note: "P" stands for power, "S" stands for signal.	