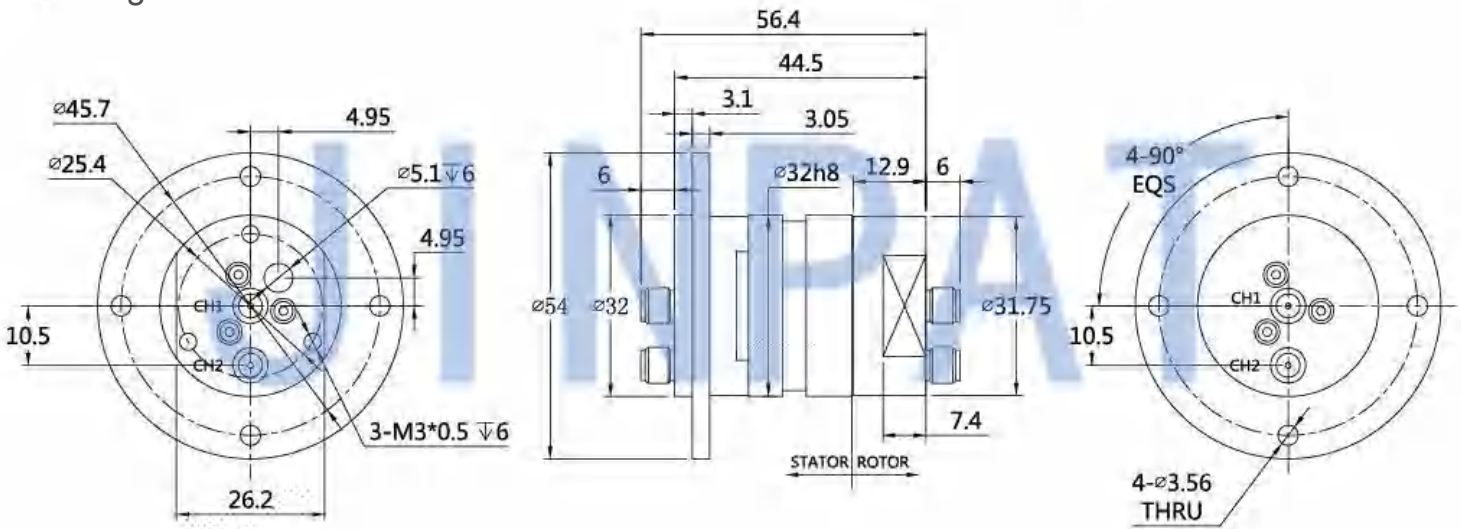


Features:

- ⊙ Up to 4 circuits
(model with more circuits is customizable)
- ⊙ Frequency up to 50GHz
- ⊙ Compact structure with low interference
- ⊙ Transmit multifarious signals simultaneously
- ⊙ Ultra low insertion loss and transmission fluctuation
- ⊙ Long service life and maintenance-free



Specifications

Channel	CH1	CH2	Starting Torque	0.05Nm@room temperature
Interface Tpe	SMA-F(50ohm)	SMA-F(50ohm)	Continuous Rotational Torque	0.05Nm@room temperature
Type	I	I	Rotating Speed,Max.	60rpm
Frequenc Range	DC-4.5GHz	DC-4.5GHz	Life Time,Min	10 million Revolutions
Peak Power,Max.	1000W	1000W	Body Material	Alumillion Revolutions
Average Power, Max.	60W@4.5GHz	10W	Case surface finish	Chromate conversion coat
VSWR,Max	1.2	1.5	Weight,approx	0.13kg
VSWR WOW	0.05	0.2	IP Protection Level	IP60
Insertion Loss, WOW	0.05dB	0.15dB	Operation Temperature	-45~+80°C
Insertion Loss,Max.	0.25dB	0.3dB	Storage Temperature	-55~+85°C
DC capability,max. one channel only)	0.5A,48VDC@full RF avg.power	0.5A, 24VDC @ full RF avg.power	Humidity (Operation)	95%
Phase WOW	0.5deg	4.0deg	Humidity (Storage)	95%
Isolation,min	50dB			