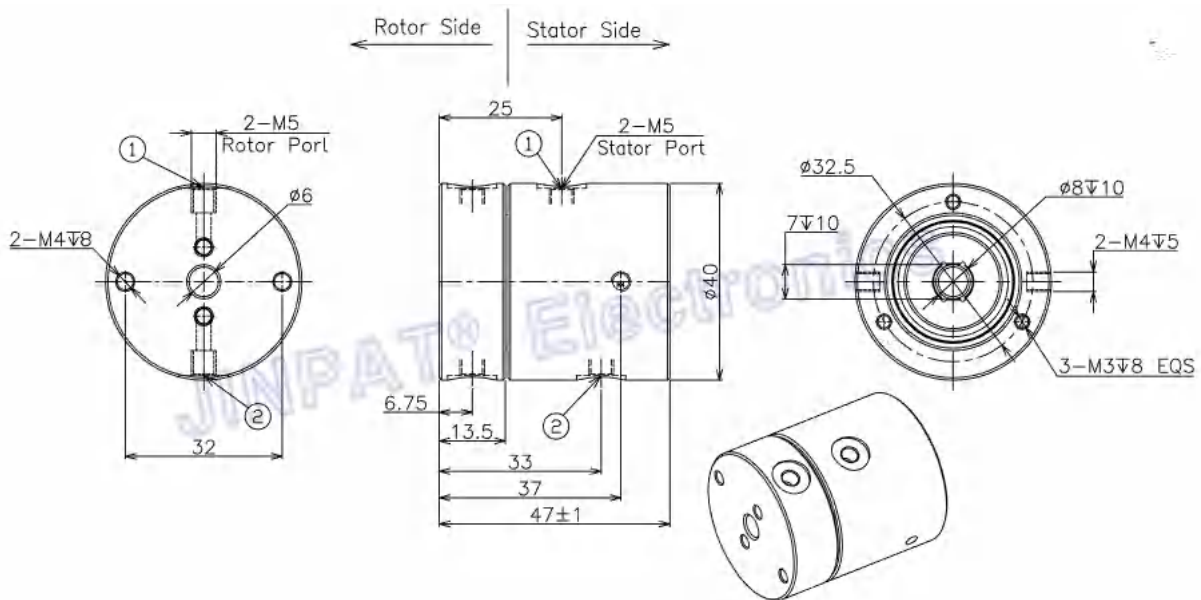


The LPP rotary unions can perform rotation of 360 degrees. The medium includes inert gas such as compressed air, steam, vacuum, nitrogen, hydrogen, etc. It can integrate slip ring to transport various control signals. The sealing surface and sealing ring are made of special materials, with the advantages of wear resistance, long life, corrosion resistance, and no leakage. Customers can install LPP rotary unions independently according to the application environment.



Rotary Unions & Joints Spec		Mechanical Data	
Max.Operating Pressure	Positive Pressure 1Mpa,Vacuum -1.5kpa	Working Speed	0~100RPM
Medium Type	Air	Working Temp	-20°C~+60°C
Passages (Gas/Flow)	2in 2out	Work Humidity	≤60%RH
Pipe Size	φ4mm pipe,M5 port	Housing Material	Aluminum Alloy
Torque	≤1.0 N.m	IP Grade	IP51