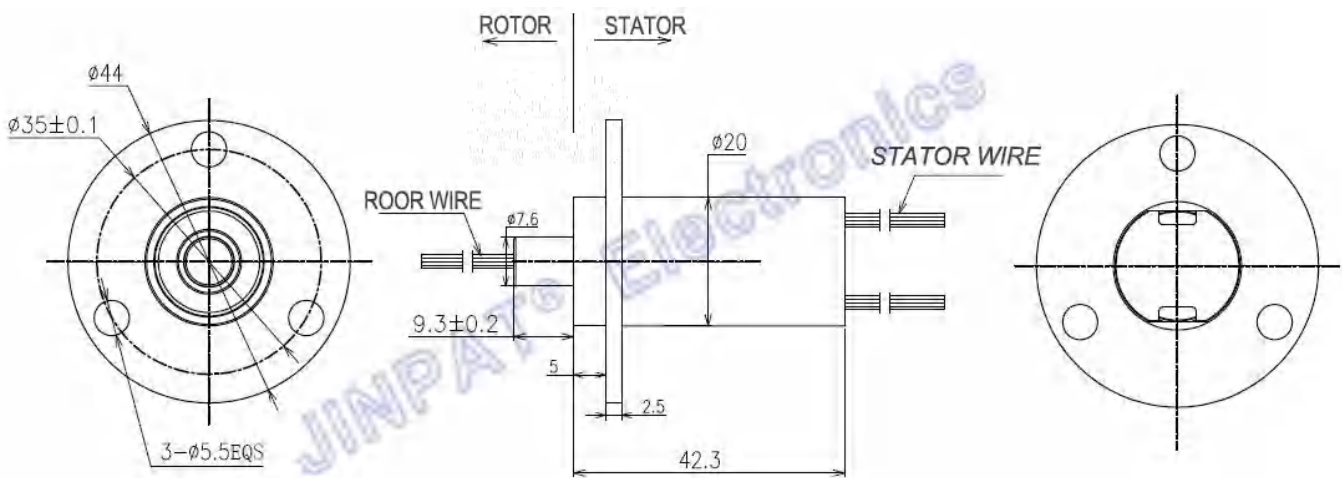
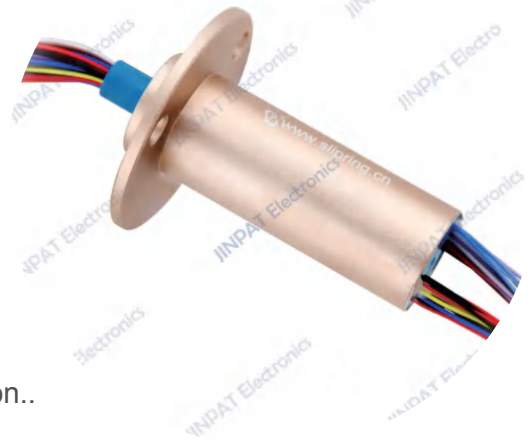


JINPAT high end metal slip ring is a high end slip ring series by JINPAT Electronics. This slip ring series is an upgraded version of JINPAT standard slip rings. The electronic performance is greatly improved. Adopt edge-cutting high standard surface processing technique. Aluminum alloy is chosen as housing material. The slip rings are greatly enhanced in its function and precision..



Electronic & Electric		Mechanical	
Number of Circuits	24	Working Speed	0~300rpm
Voltage	240VAC/DC	Contact Material	Gold to Gold
Current	2A/Can be mixed	Housing Material	Alluminium Alloy
Dielectric Strength	Between the two road ≥500V@50Hz	Wire Tpe	AWG28
Insulation Resistance	1000MΩ@500VDC	Wire Length	300mm Criterion
Environment		Remarks	
Working Temperature	-20°C~+80°C	Life Span	≥5000million
Working Humidity	≤60%RH		
IP	IP40 or higher	Dynamic Contact Resistance	≤20mΩ