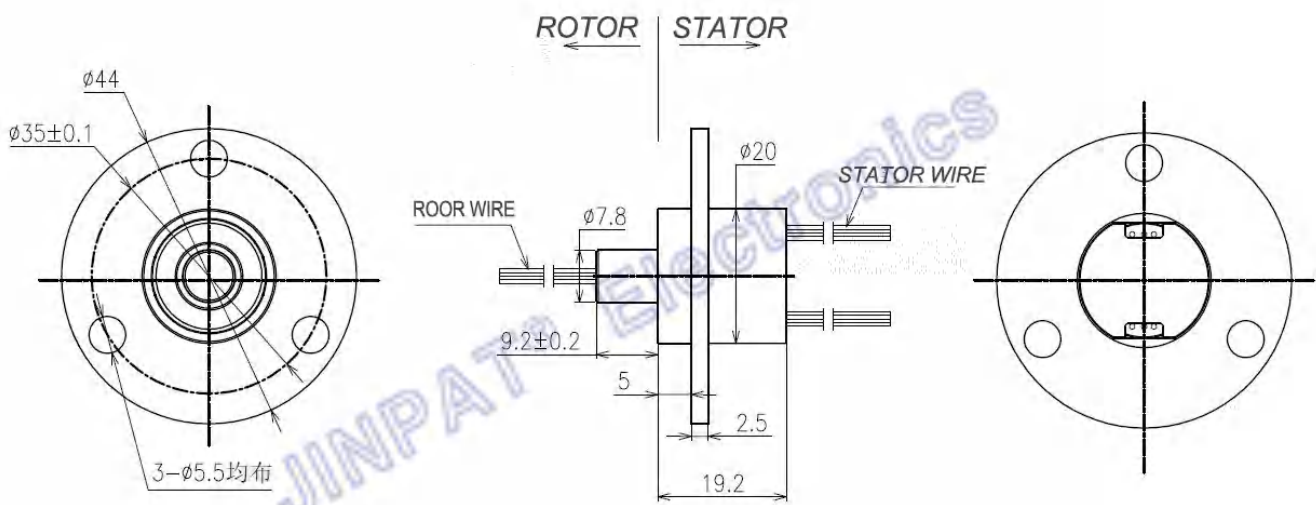
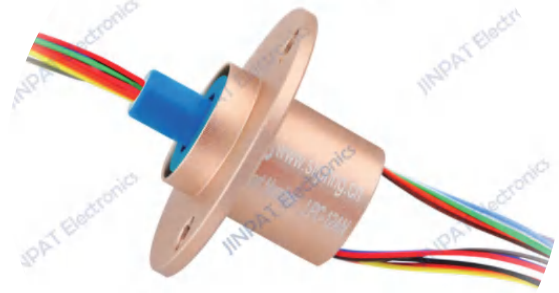


JINPAT high end metal slip ring is a high end slip ring series by JINPAT Electronics. This slip ring series is an upgraded version of JINPAT standard slip rings. The electronic performance is greatly improved. Adopt edge-cutting high standard surface processing technique. Aluminum alloy is chosen as housing material. The slip rings are greatly enhanced in its function and precision..



Electronic & Electric		Mechanical	
Number of Circuits	6	Working Speed	0~300rpm
Voltage	240VAC/DC	Contact Material	Gold to Gold
Current	2A/Can be mixed	Housing Material	Alluminium Alloy
Dielectric Strength	Between the two road $\geq 500V@50Hz$	Wire Tpe	AWG28
Insulation Resistance	1000M $\Omega$ @500VDC	Wire Length	300mm Criterion
Environment		Remarks	
Working Temperature	-20°C ~ +80°C	Life Span	$\geq 50,000,000$ revolutions (forreference)
Working Humidity	$\leq 60\%RH$		
IP	IP40 or higher	Dynamic Contact Resistance	$\leq 20m\Omega$