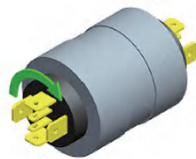
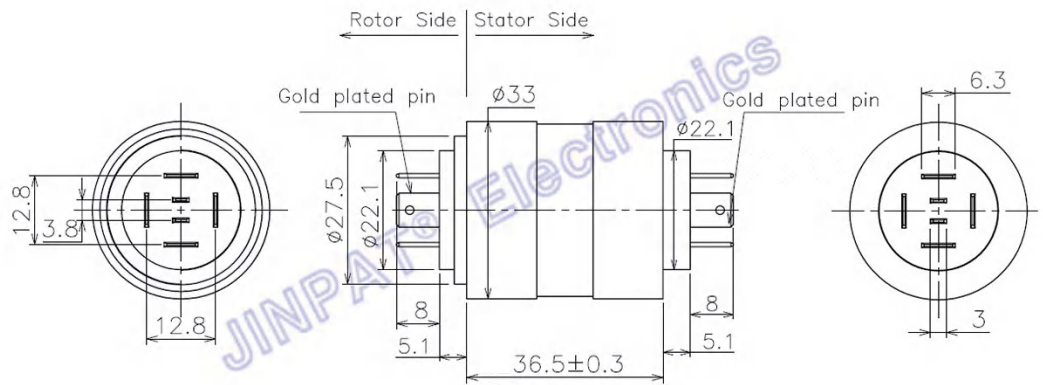


Features:

- Pin contact instead of wire contact
- Transmit power and signal
- Smooth function
- Low contact resistance
- Easy to install

Option:

- Rotating speed
- Number of circuits
- Current capacity
- Housing material



| Electronic & Electric | | | Mechanical | |
|-----------------------|--------|--------------|--|-----------------------|
| Circuits | Total | 6CKT | Working Speed | 0~300rpm |
| | Detail | 2x5A / 4x15A | Contact Material | Gold to Gold |
| Rating Voltage | | 0~240V AC/DC | Housing Material | Engineering plastics |
| Dielectric Strength | | 500VAC@50Hz | Lead Wire Length | Gold plated pin (8mm) |
| Insulation Resistance | | 500MΩ@500VDC | Dynamic Resistance Fluctuation Value | ≤35MΩ |
| Environment | | | Remarks | |
| Working Temperature | | -40°C~+80°C | Application | / |
| Working Humidity | | ≤60%RH | Other | / |
| IP | | IP40 | Note: "P" stands for power, "S" stands for signal. | |