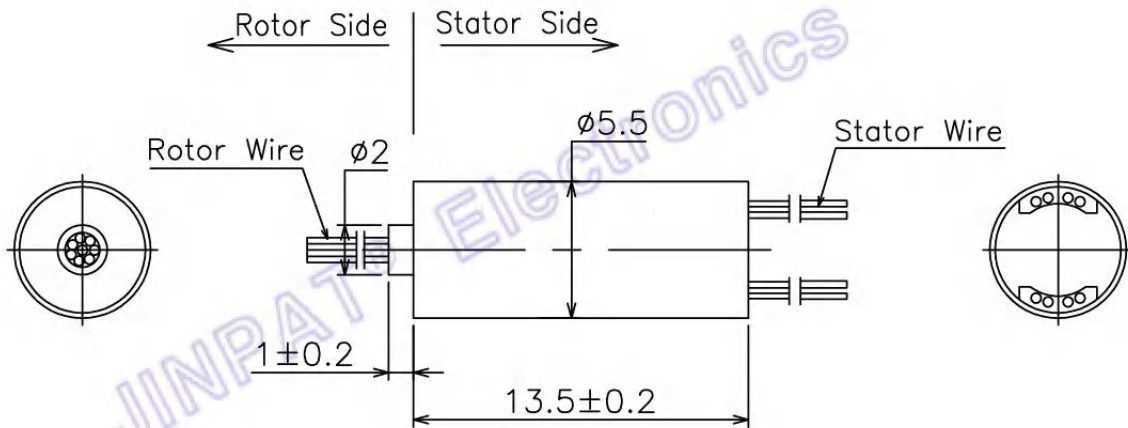


LPMS Super Miniature Capsule Slip Ring is able to integrate 12 or more circuits, with optional outer diameter from 5.5mm~11.1mm. This series is super mini size, with precise design using military-standard material.

Features:

- ◎ Ultra compact size/ Precise design /
- Military-standard material / Low resistance



| Electronic & Electric | | | Mechanical | |
|-----------------------|--------|--------------|--|---------------------------------|
| Circuits | Total | 8CKT | Working Speed | 0~300rpm |
| | Detail | 8x1A | Contact Material | Gold to Gold |
| Rating Voltage | | 48V AC/DC | Housing Material | Stainless Steel |
| Dielectric Strength | | ≥100VAC@50Hz | Lead Wire Length | Stator:250±5mm Rotor:250±5mm |
| Insulation Resistance | | ≥50MΩ@100VDC | Dynamic Resistance Fluctuation Value | ≤35mΩ |
| Environment | | | Remarks | |
| Working Temperature | | -20°C~+60°C | Application | / |
| Working Humidity | | ≤60%RH | Other | / |
| IP | | IP40 | Note: "P" stands for power, "S" stands for signal. | |