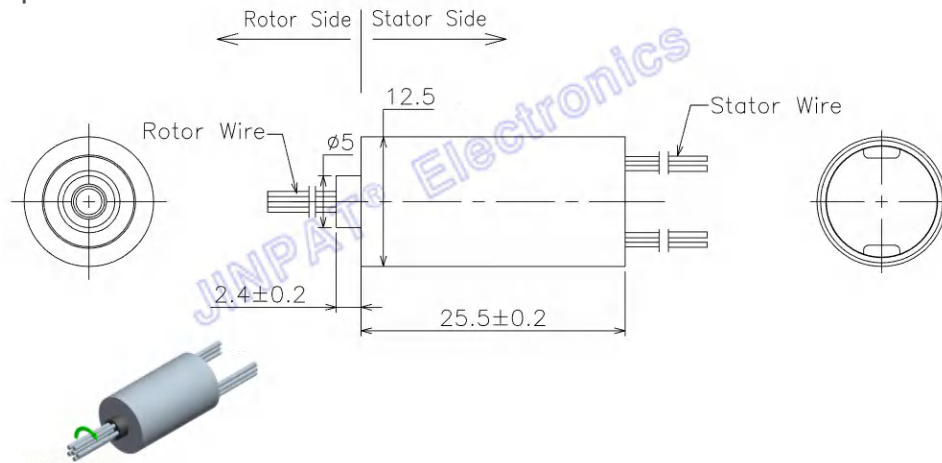


Features:

- ◆ 12 circuits models
- ◆ 1 amps per circuit , 240 VAC/DC
- ◆ Precision assembly to provide exceptional rotational life
- ◆ Speed up to 300 rpm continuous
- ◆ Gold-Gold contacts
- ◆ Flexible, color-coded, silver-plated, stranded copper lead wire
- ◆ Superior handling of low level control signals
- ◆ Metal housing optional



Electronic & Electric			Mechanical	
Circuits	Total	12CKT	Working Speed	0~300rpm
	Detail	12x1A (You can go through 2A under certain circumstances)	Contact Material	Gold to Gold
Rating Voltage		110V AC/DC	Housing Material	Engineering plastics
Dielectric Strength		≥200VAC@50Hz(P) ≥100VAC@50Hz(S)	Lead Wire Length	Stator:250±5mm Rotor:250±5mm
Insulation Resistance		≥500MΩ@200VDC(P) ≥10MΩ@100VDC(S)	Dynamic Resistance Fluctuation Value	≤35mΩ
Environment			Remarks	
Working Temperature		-20°C~+60°C	Application	/
Working Humidity		≤60%RH	Other	/
IP		IP40	Note: "P" stands for power, "S" stands for signal.	