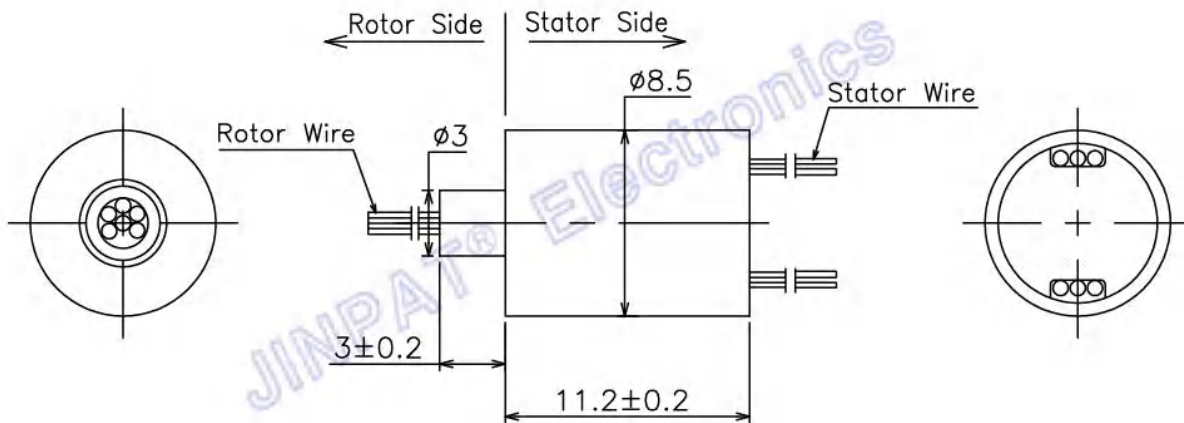


LPMS Super Miniature Capsule Slip Ring is able to integrate 12 or more circuits, with optional outer diameter from 5.5mm~11.1mm. This series is super mini size, with precise design using military-standard material.

Features:

- ◎ Ultra compact size/ Precise design /
- Military-standard material / Low resistance



Electronic & Electric			Mechanical	
Circuits	Total	6CKT	Working Speed	0~300rpm
	Detail	6x1A	Contact Material	Gold to Gold
Rating Voltage		48V AC/DC	Housing Material	Engineering plastics
Dielectric Strength		$\geq 100\text{VAC}@50\text{Hz}$	Lead Wire Length	Stator: $250 \pm 5\text{mm}$ Rotor: $250 \pm 5\text{mm}$
Insulation Resistance		$\geq 50\text{M}\Omega@100\text{VDC}$	Dynamic Resistance Fluctuation Value	$\leq 35\text{m}\Omega$
Environment			Remarks	
Working Temperature		$-20^{\circ}\text{C} \sim +60^{\circ}\text{C}$	Application	/
Working Humidity		$\leq 60\% \text{RH}$	Other	/
IP		IP40	Note: "P" stands for power, "S" stands for signal.	