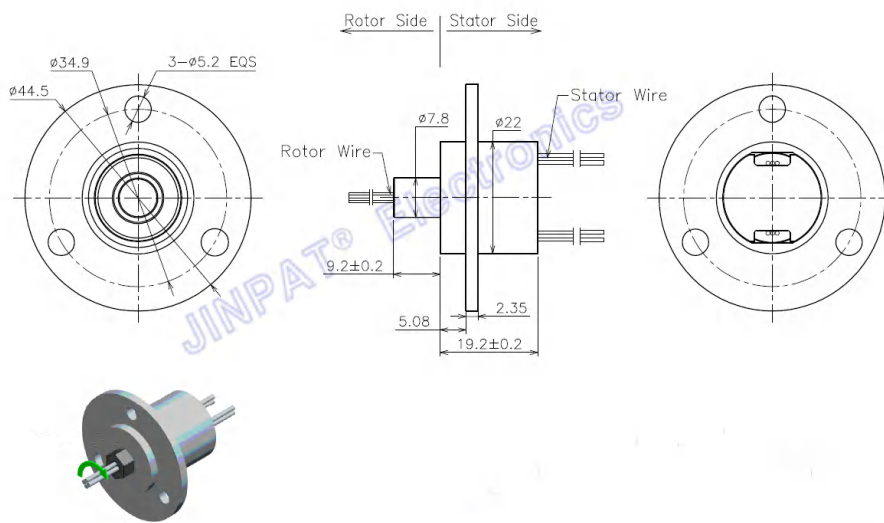
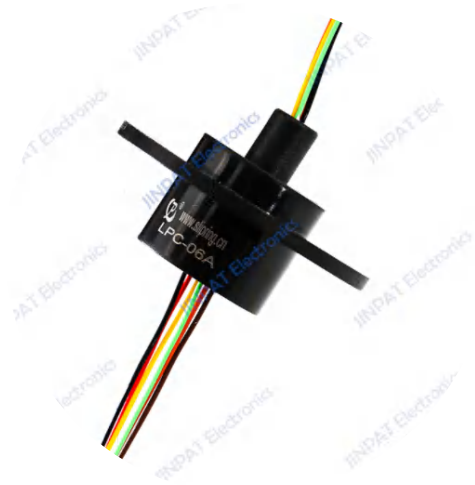


- ◆ 2 amps per circuit , 240 VAC/VDC
- ◆ Gold-Gold contacts ensure long life time
- ◆ Compatible with data bus protocols
- ◆ Sealed units are available
- ◆ Flexible, color-coded, silver-plated lead wires
- ◆ Transferring analog and digital signals
- ◆ Structural flange on the housing
- ◆ Also available at 5A and 10A power rings combined with 2 amps rings.



Electronic & Electric			Mechanical	
Circuits	Total	6 CKT	Working Speed	0~300rpm
	Detail	6x2A	Contact Material	Gold to Gold
Rating Voltage		0~240V AC/DC	Housing Material	Engineering plastics
Dielectric Strength		$\geq 500\text{VAC}@50\text{Hz(P)}$ $\geq 100\text{VAC}@50\text{Hz(S)}$	Lead Wire Length	Stator: $250 \pm 5\text{mm}$ Rotor: $250 \pm 5\text{mm}$
Insulation Resistance		$\geq 100\text{M}\Omega@500\text{VDC(P)}$ $\geq 10\text{M}\Omega@100\text{VDC(S)}$	Dynamic Resistance Fluctuation Value	$\leq 35\text{m}\Omega$
Environment			Remarks	
Working Temperature		$-20^\circ\text{C} \sim +60^\circ\text{C}$	Application	/
Working Humidity		$\leq 60\%\text{RH}$	Other	/
IP		IP40	Note: "P" stands for power, "S" stands for signal.	