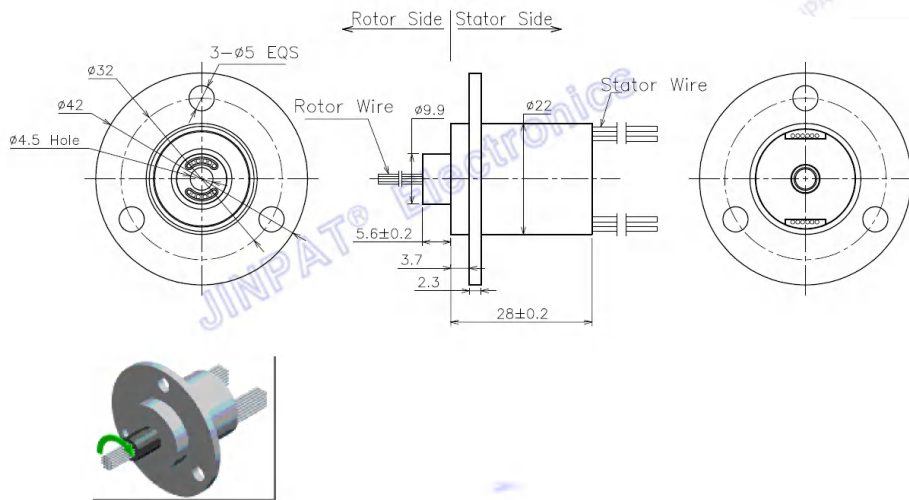


Benefits:

- ◆ Low torque minimizes system torque budget
- ◆ Compact design to fit in the most demanding space.
- ◆ Smooth running
- ◆ Low electrical noise
- ◆ Quick shipment per your urgent requirement
- ◆ 360° continuous rotation
- ◆ High bandwidth transfer capability



Electronic & Electric			Mechanical	
Circuits	Total	12CKT	Working Speed	0~300rpm
	Detail	12x2A	Contact Material	Gold to Gold
Rating Voltage		240V AC/DC	Housing Material	Aluminum alloy
Dielectric Strength		≥500VAC@50Hz(P) ≥100VAC@50Hz(S)	Lead Wire Length	Stator:250±5mm Rotor:250±5mm
Insulation Resistance		≥100MΩ@500VDC(P) ≥10MΩ@100VDC(S)	Dynamic Resistance Fluctuation Value	≤35mΩ
Environment			Remarks	
Working T emperature		-20°C~+60°C	Application	/
Working Humidity		≤60%RH	Other	/
IP		IP40	Note: "P" stands for power, "S" stands for signal.	