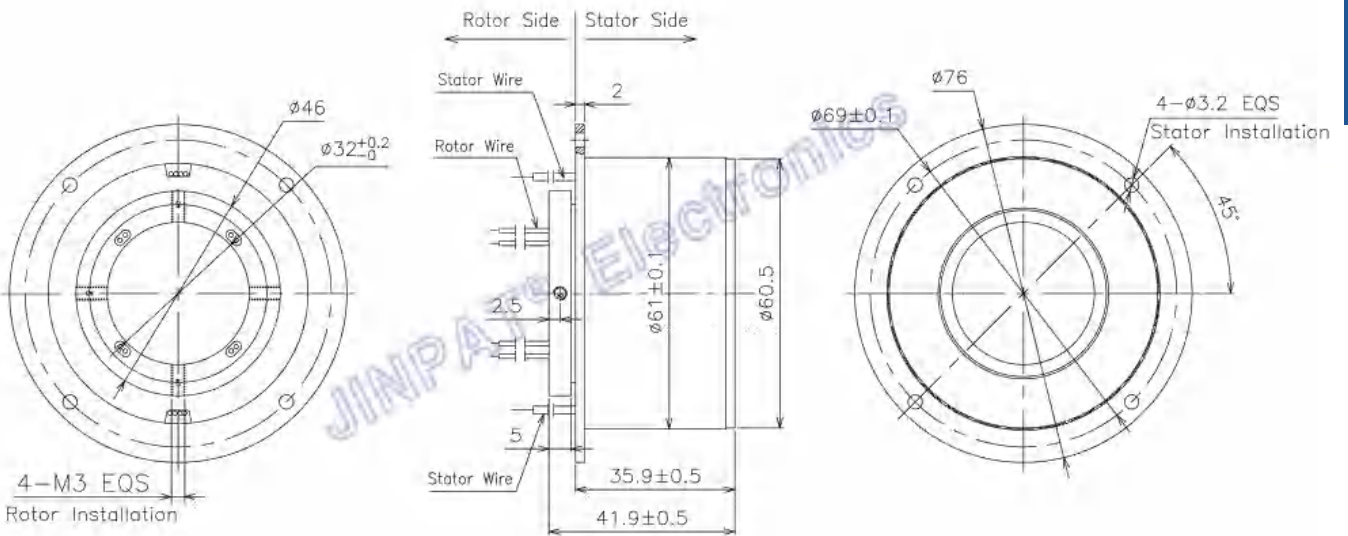


A slip ring can be used in any electromechanical system that requires unrestrained, continuous rotation while transferring power or data from a stationary to a rotating structure. A slip ring is also called a rotary electrical interface, collector, swivel or a commutation. A slip ring can improve system performance by simplifying operations and eliminating damage-prone wires dangling from movable joints.



Electronic & Electric			Mechanical	
Circuits	Total	8CKT	Working Speed	0~2000rpm
	Detail	8x2A	Contact Material	Gold-Gold
Rating Voltage		240VAC/DC	Housing Material	Engineering plastic
Dielectric Strength		500VAC@50Hz(P)	Lead Wire Length	Stator:300mm Rotor:300mm
Insulation Resistance		$\geq 300M\Omega @ 500VDC$	Inner Diameter	$\phi 32mm$
Environment			Remarks	
Working Temperature		$-20^{\circ}C \sim +60^{\circ}C$	IP	IP50
Working Humidity		$\leq 60\%RH$		